

General Description

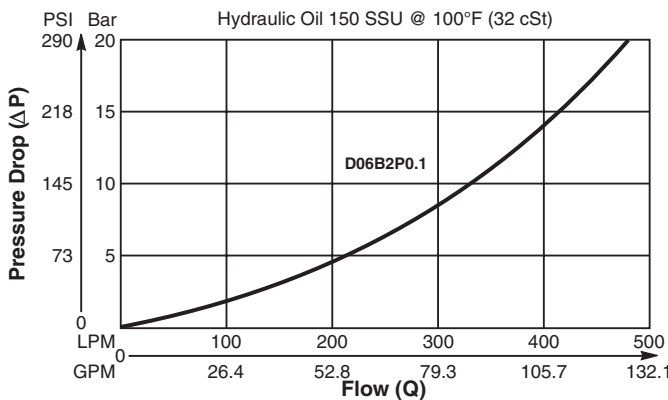
Poppet Type Check Valve.
 For additional information see Technical Tips on pages CV2-CV3.

Features

- Extra low pressure drop capability for systems up to 250 Bar
- Poppet type construction for minimal leakage - less than 3 drops/min.
- Hardened poppet for maximum durability
- Good contamination tolerance
- All external parts zinc plated

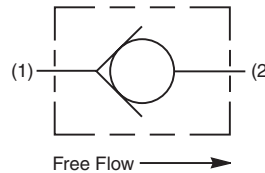
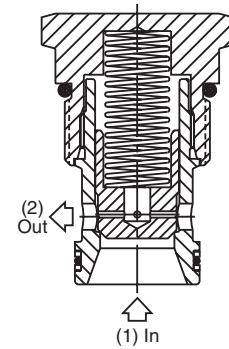
Performance Curve

Pressure Drop vs. Flow (Through cartridge only)

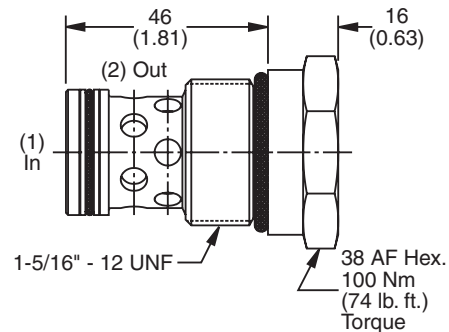


Specifications

Rated Flow	500 LPM (132 GPM)
Nominal Flow @ 7 Bar (100 PSI)	280 LPM (74 GPM)
Maximum Inlet Pressure	420 Bar (6000 PSI)
Leakage at 150 SSU (32 cSt)	Less than 3 drops/min.
Cartridge Material	Steel operating parts, hardened steel poppet.
Operating Temp. Range/Seals	-34°C to +121°C (Nitrile, Buna-N) (-30°F to +250°F) -26°C to +204°C (Fluorocarbon) (-15°F to +400°F)
Fluid Compatibility/Viscosity	Mineral-based or synthetic with lubricating properties at viscosities of 45 to 2000 SSU (6 to 420 cSt)
Filtration	ISO-4406 18/16/13, SAE Class 4
Approx. Weight	0.27 kg (0.60 lbs.)
Cavity	C16-2 (See BC Section for more details)



Dimensions Millimeters (Inches)



Ordering Information

D06B2P	0.1	N
16 Size Check Valve	Cracking Pressure	Seals

Highlighted represents preferred options that offer the shortest lead times. Other options may be available, but at extended lead times.

Code	Cracking Pressure
0.1	0.1 Bar (1.5 PSI) Std.

Code	Seals
N	Nitrile

Kit	Part Number
Nitrile Seal	SK30507N-1
Fluorocarbon Seal	SK30507V-1

Order Bodies Separately
 See section BC

B16	2	16T
16 size	2-Way Cavity	Port Size

Code	Porting / Body Material
16T	SAE-16 / Steel (5000 PSI)

CV
Check Valves
SH
Shuttle Valves
LM
Load/Motor Controls
FC
Flow Controls
PC
Pressure Controls
LE
Logic Elements
DC
Directional Controls
SV
Solenoid Valves
PV
Proportional Valves
CE
Coils & Electronics
BC
Bodies & Cavities
TD
Technical Data